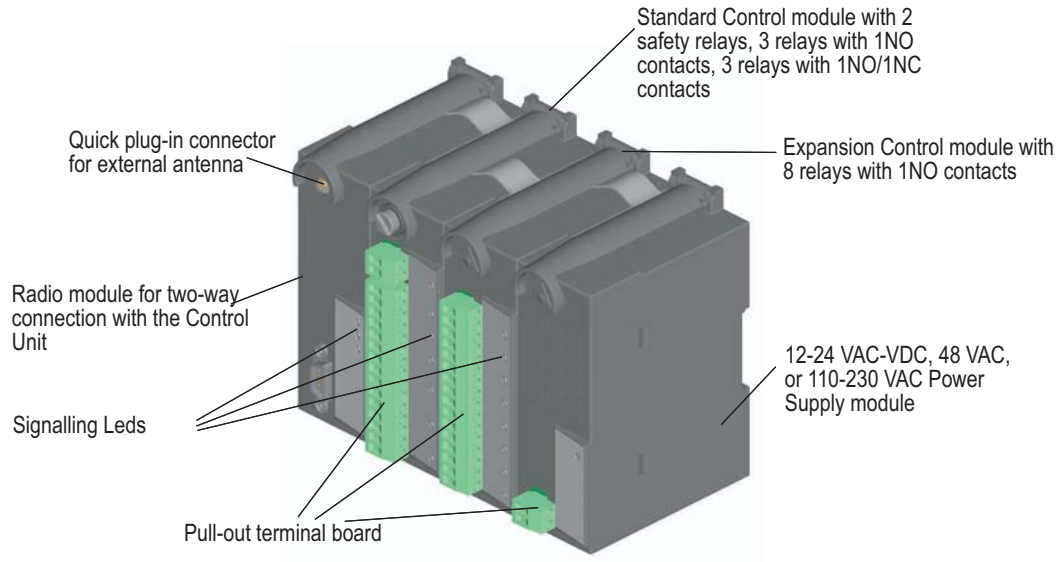


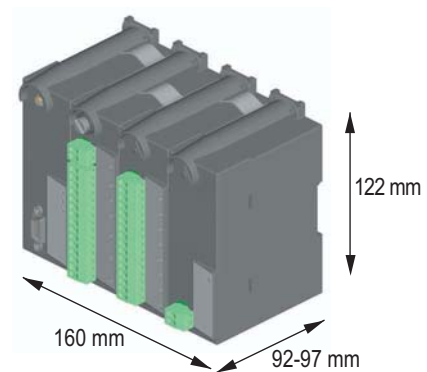
ACTUATING UNIT FOR PANEL USE



Technical specifications

Operational temperature	-25°C / +70°C
Degree of protection	IP 20
Antenna	External
Dipole antenna range	200 m max in open field
Ground Plane antenna range	300 m max in open field
Relays	250 Vac / 10A
Safety category	3 (EN 954-1), 4 (EN 954-1 stop function)
Markings and conformity	CE 2004/108/CE, 1999/5/CE, 2006/95/CE

Overall dimensions



Product features

- Up to 8 Expansion Control modules can be put together adding up to 62 relays.
- Dipole and Ground Plane external antennas available.
- Antenna wiring length: 2.5 - 5 - 10 - 15 or 20 m.
- Matching of the Control Unit actuators via software.

The data and the products illustrated in this brochure may be modified without notice. Under no circumstances can their description have a contractual value.