

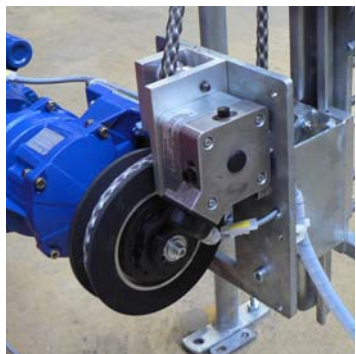
Ladder Climbing Drive



The ladder climbing drive can be used with existing fall arrest rail or steel rope ladder systems. The ladder climbing drives rope runs parallel to the fall arrest systems so that the climber is connected to the fall arrest system and climbing is supported by the additional connection to the ladder climbing drives rope.

The safety harness is fastened to the continuous rope by an ascender and snap hooks. The motor, fitted to the bottom end of the ladder on the rear side, drives the continuous rope via an infinitely variable slip clutch with driving pulley.

The rope runs around the top end of the ladder via a sheave. The ladder climbing drive is started or stopped by pulling up the rope and stops when the climber comes to a halt on the ladder. The rope is pulled up again to continue climbing.



Unlike comparable products there is no risk of accident if the slip clutch fails, as the signal to the control system is transmitted via a separate shaft and not via the motor shaft.

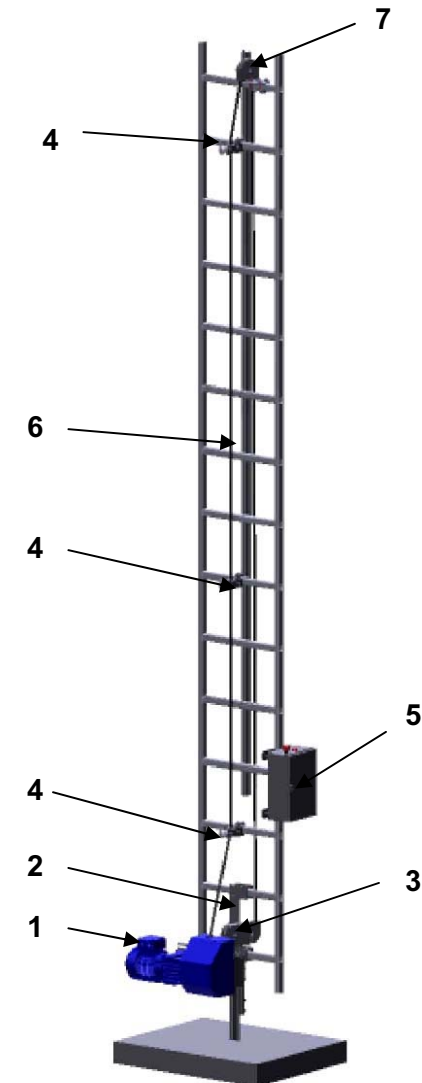
Application side beam

The ladder climbing drive type LCD-S is an equipment to facilitate the ascent of persons during the use of stationary ladders.

Climbing person is secured with fall arrester equipment in accordance with EN 353-1:2002, ANSI Z359.1-1992 and a safety harness in accordance with EN 361, ANSI Z359.1 while using the ladder.

The ladder climbing drive LCD-S is designed for **side beam ladders**

- 1) Drive unit including guide carriage
- 2) Guide rail
- 3) Lower guide pulley
- 4) Rope guides
- 5) Control cabinet (controlling)
- 6) Polyester rope
- 7) Upper guide pulley



Technical data

Description:	Ladder climbing drive
Type:	LCD-S
Total weight:	approx. 33kg incl. drive unit
Relief / Tension force:	35kg (adjustable up to 45kg)
Minimum weight of climbing person:	50kg
Drive unit:	Spur gear motor with drive shaft 0,55 kW, 230V/50Hz / IP54
Rope:	Infinite rope made of polyester, 12mm, trusted out with special Grip- coating.
Climbing high:	According to project requirements



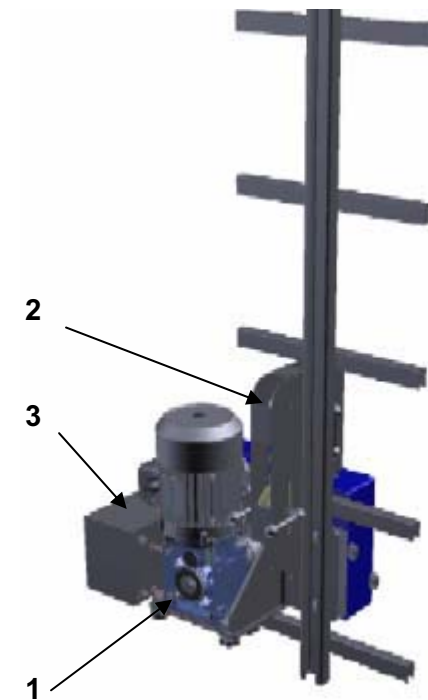
Application middle beam

The ladder climbing drive type LCD-M is an equipment facilitate the ascent of persons during the use of stationary ladders.

Climbing person is secured with fall arrester equipment in accordance with EN 353-1:2002, ANSI Z359.1-1992 and a safety harness in accordance with EN 361, ANSI Z359.1 while using the ladder.

The ladder climbing drive LCD-M is designed for **middle beam ladders**

- 1) Drive unit including guide carriage
- 2) Lower guide pulley
- 3) Control cabinet
- 4) Polyester rope (not showed)
- 5) Upper guide pulley (not showed)



Technical data

Description:	Ladder climbing drive
Type:	LCD-M
Total weight:	approx. 40kg incl. drive unit
Relief / Tension force:	35kg (adjustable up to 45kg)
Minimum weight of climbing person:	50kg
Drive unit:	Helical gear motor with drive shaft 0,55 kW, 230V/50Hz / IP54
Rope:	Infinite rope made of polyester, 12mm, trusted out with special Grip- coating.
Climbing high:	According to project requirements



 **DANGER**

Usage of the ladder climbing drive is permitted only with checked and approved fall arrester equipment.
In case of non-observance, there is a danger to life and limb!

 **DANGER**

The ladder climbing drive **does not** serve as replacement for the fall arrester equipment.
In case of non-observance, there is a danger to life and limb!

